

Cordless vacuum type R24 D

Blower

Glass-fibre reinforced
housing

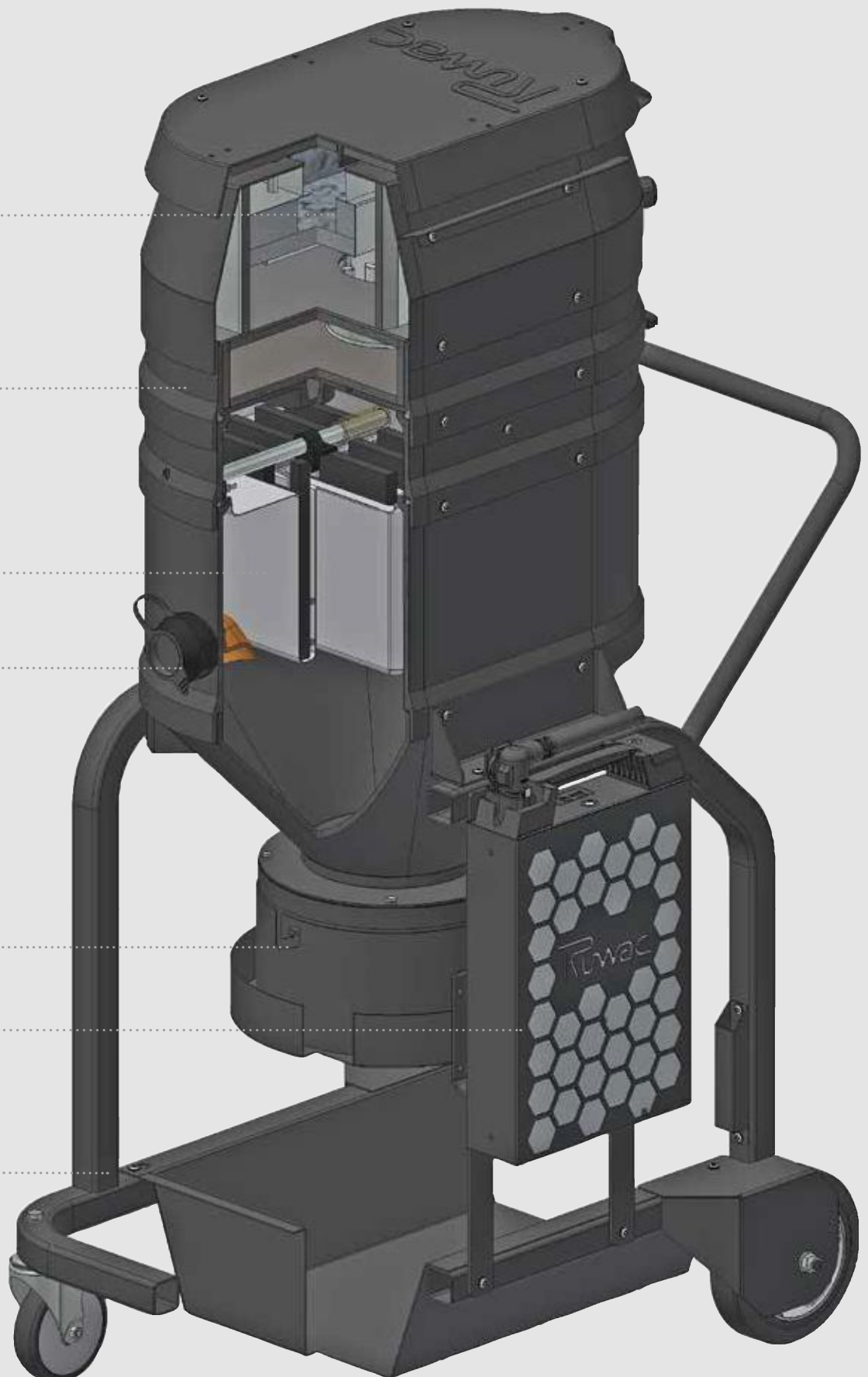
Bag filter for dust
class M

Suction connection
(sealable)

Holds Longopac®
or poly bag

Battery system

Chassis



<https://www.ruwac.de/produkte/akkusauger>

A perfect combination

- Dust-free disposal thanks to the innovative Longopac®system
 - Quickly exchange the Longopac®
- Variety of versions thanks to modular system
 - Glass-fibre reinforced housing
- Available with residual dust filter, dust class H
- Battery run time up to 120 minutes
- Available with exchangeable battery and charging station
- Suitable for extracting flammable dusts
- Blower can be individually activated

Longopac® hose can be exchanged in just 30 seconds:



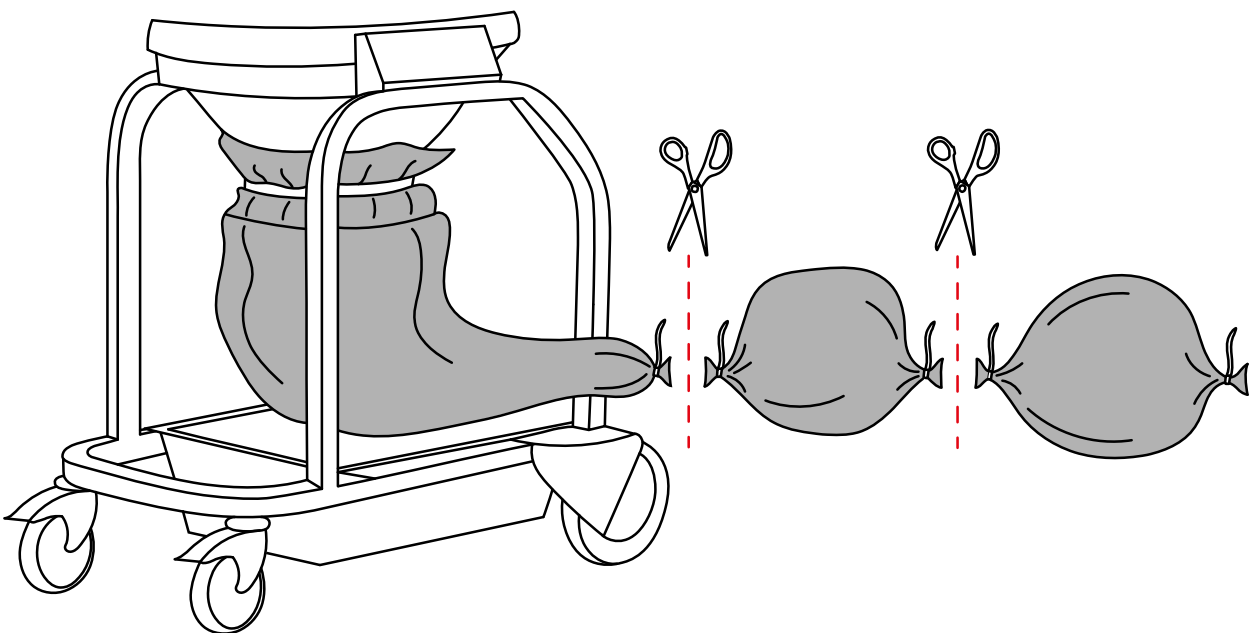
1. Insert the Longopac® system. Seal with a cable tie at the end.



2. Retighten the Longopac® hose during operation and tie with a cable tie.



3. Dispose of filled bag, continue with step 1.



Variant with poly bag



Technical data

	R01 D	R24 D	R18 D
Housing	Glass-fibre reinforced	Glass-fibre reinforced	Stainless steel
Motor power (kW)	1.9	1.9	0.95
Voltage (V)	48	48	48
Protection class (IP)	x4	x4	x4
Vacuum (mbar)	-210	-210	-220
Air flow rate (m ³ /h) (measured with 3 m hose)	330	330	221
Sound pressure level (dB(A)) (DIN EN ISO 3744)	72	72	75
Bag filter for dust class M (m ²)	1.2	1.2	-
Cellular filter for dust class M (m ²)	1.0	1.0	-
Duct filter for dust class M (m ²)	-	-	0.8
Residual dust filter for dust class H (m ²)	3.2	3.2	1.1
Height (mm) (bag filter 1.2 m ² for dust class M)	966	1,487	-
Height (mm) (cellular filter 1.0 m ² for dust class M)	966	1,487	-
Height (mm) (bag filter 1.2 m ² for dust class H)	1,010	1,591	-
Height (mm) (cellular filter 1.0 m ² for dust class H)	1,010	1,591	-
Height (mm) (duct filter 0.8 m ² for dust class H)	-	-	860
Width (mm)	551	656	530
Length (mm)	817	937	425
Weight (kg)	75	110	32.5
Capacity (liters)	35	approx. 35	21
Suction connection (mm)	50	50	50

Simple battery exchange



LED indicates the charge status



Disconnect the plug and easily remove the battery



Insert the new battery directly



Charge the battery

Ruwac
Industriesauger



Ruwac
Industriesauger GmbH
Westhoyeler Str. 25
49328 Melle

0 52 26 - 98 30-0
www.ruwac.de
ruwac@ruwac.de



IEC 60335-2-69_2021



DIN EN 60335-2-69, Ann. AA